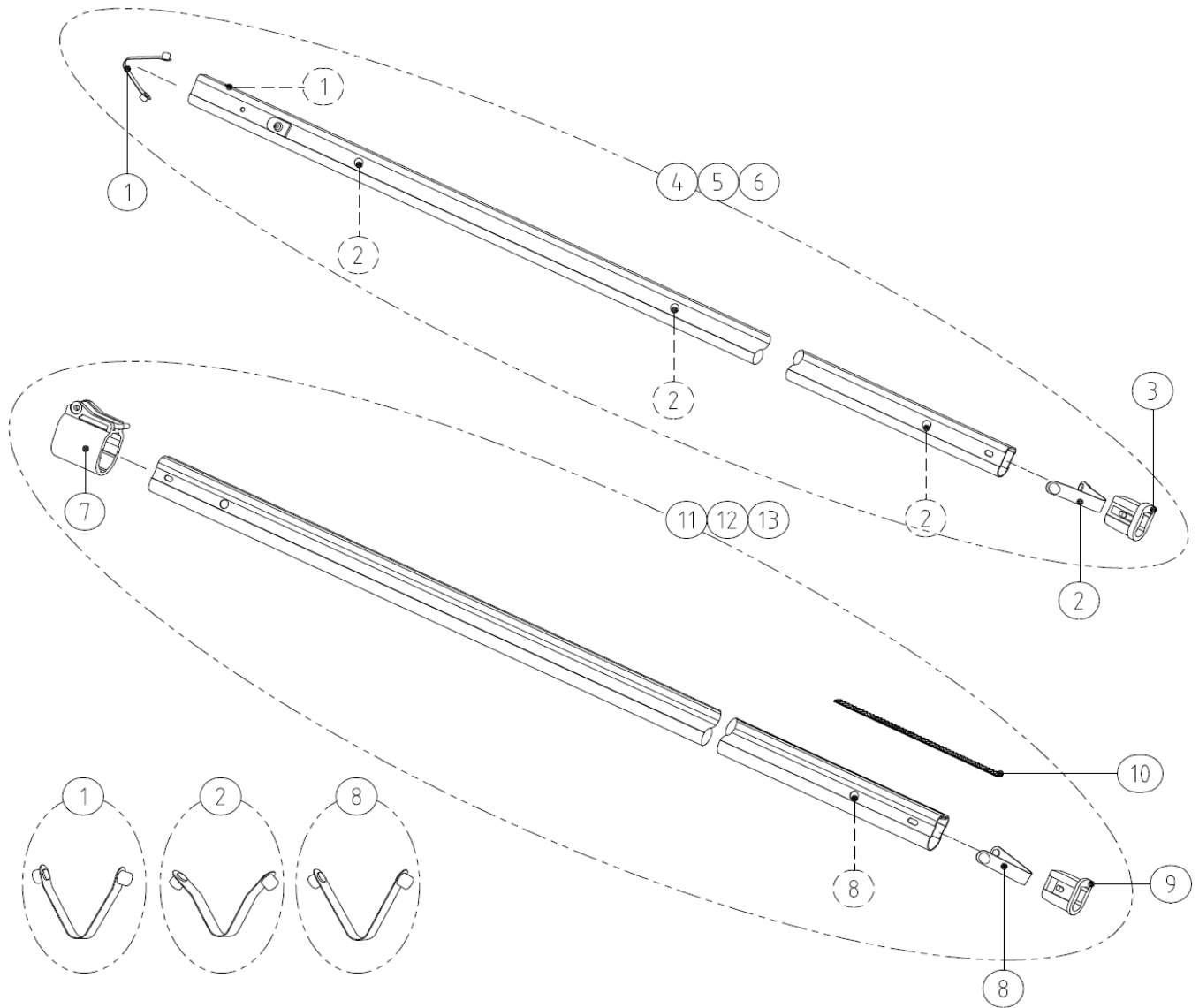
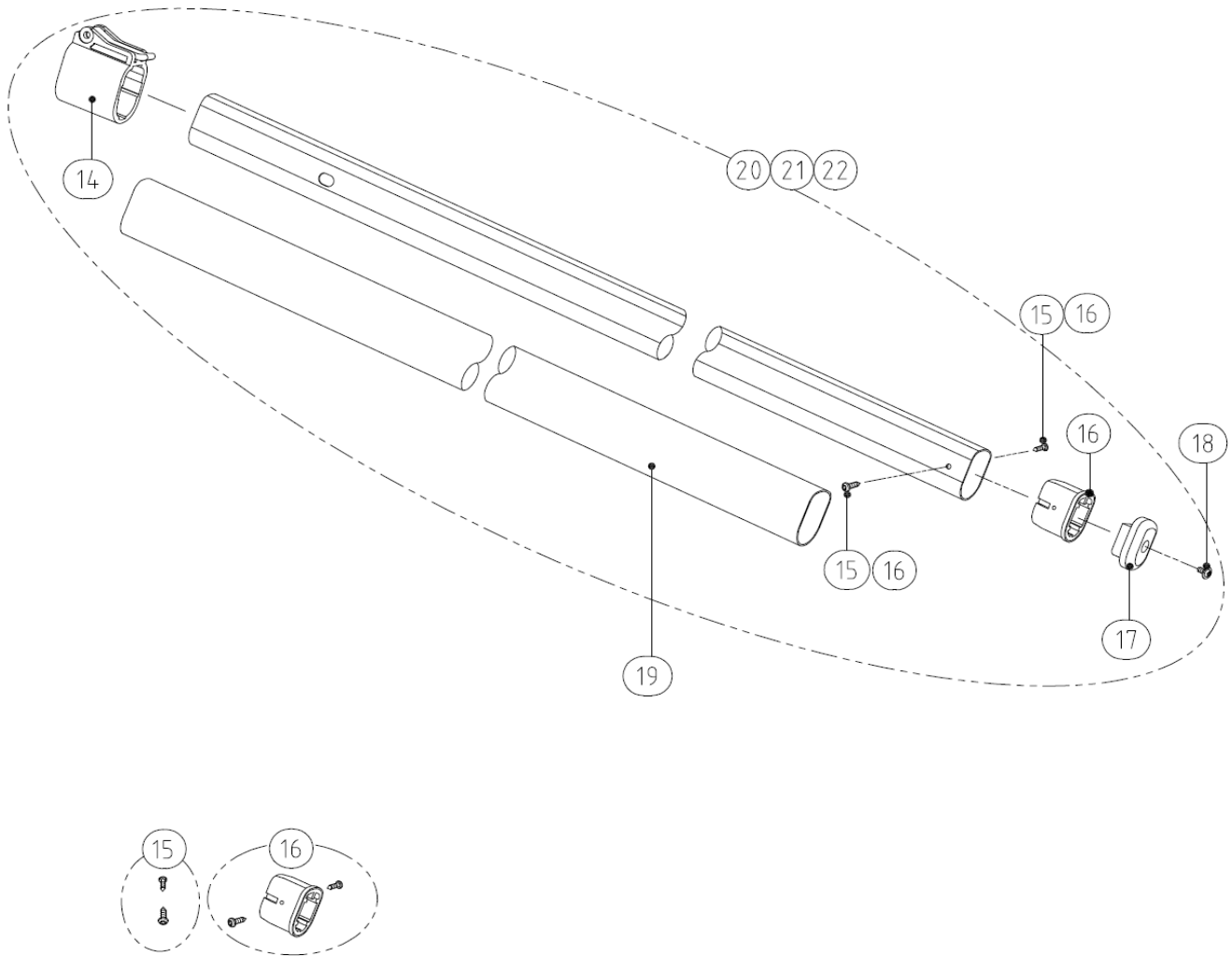


EXP-3.3 / EXP-4.5 / EXP-5.5



PARTS NO.	SPECIFICATION	PARTS NO.	SPECIFICATION
①	SP-453 PRESS BUTTON W/SPRING, BENT INSIDE, FOR EXP SERIES	⑩	SP-111 PLASTIC GUIDE FOR EXP-4.5/EXP-5.5 (1 PC.)
②	SP-454 PRESS BUTTON W/SPRING, BENT OUTSIDE, FOR EXP SERIES	SP-111-A	PLASTIC GUIDE SET FOR EXP-4.5 (6 PCS.)
③	SP-120 ENDCAP FOR C PIPE OF EXP SERIES	SP-111-B	PLASTIC GUIDE SET FOR EXP-5.5 (8 PCS.)
④	SP-329 UPPER PIPE (C PIPE) OF EXP-2.3/3.3	SP-111-C	PLASTIC GUIDE SET FOR EXP-3.3 (5 PCS.)
⑤	SP-117 UPPER PIPE (C PIPE) OF EXP-4.5	⑪	SP-328 MIDDLE PIPE (B PIPE) OF EXP-3.3
⑥	SP-104 UPPER PIPE (C PIPE) OF EXP-5.5	⑫	SP-116 MIDDLE PIPE (B PIPE) OF EXP-4.5
⑦	SP-113-A STOPPER SET FOR MIDDLE PIPE (B PIPE) OF EXP-4.5	⑬	SP-103 MIDDLE PIPE (B PIPE) OF EXP-5.5
SP-113-B	STOPPER SET FOR MIDDLE PIPE (B PIPE) OF EXP-5.5		
SP-113-D	STOPPER SET FOR MIDDLE PIPE (B PIPE) OF EXP-3.3		
⑧	SP-110 PRESS BUTTON W/SPRING, W/O BENDING, FOR EXP SERIES		
⑨	SP-119 ENDCAP FOR B PIPE OF EXP SERIES		

EXP-3.3 / EXP-4.5 / EXP-5.5



PARTS NO.	SPECIFICATION	PARTS NO.	SPECIFICATION
⑭	SP-114 STOPPER SET FOR LOWER PIPE (A PIPE) OF EXP SERIES		
⑮	SP-121 SCREW FOR ENDCAP A OF EXP SERIES (2PCS)		
⑯	SP-115 ENDCAP FOR A PIPE OF EXP SERIES WITH 2 SCREWS		
⑰	SP-330 RUBBER CUSHION FOR EXP SERIES		
⑱	SP-331 SCREW TO ATTACHED THE RUBBER CUSHION FOR EXP SERIES		
⑲	SP-122 GRIP COVER FOR A PIPE OF EXP SERIES		
⑳	SP-327 LOWER PIPE (A PIPE) OF EXP-3.3 WITH GRIP COVER		
㉑	SP-112 LOWER PIPE (A PIPE) OF EXP-4.5 WITH GRIP COVER		
㉒	SP-102 LOWER PIPE (A PIPE) OF EXP-5.5 WITH GRIP COVER		