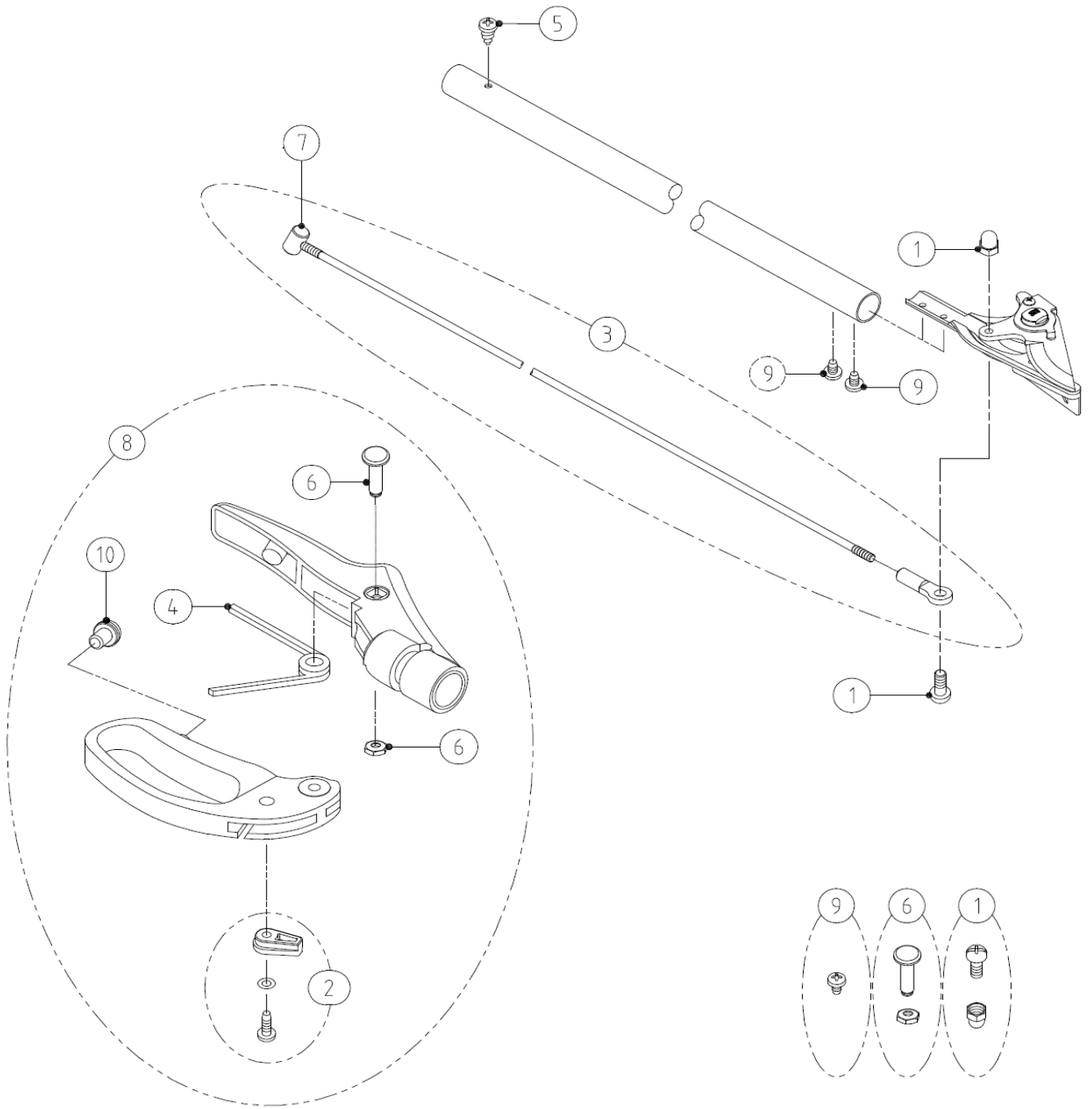


150-0.6



| PARTS NO. | SPECIFICATION | PARTS NO. | SPECIFICATION |
|-----------|--|-----------|---|
| ① SP-44 | ROD FIXING BOLT & NUT FOR 150/160/ 180/190/ZF SERIES | ⑩ SP-80 | RUBBER CUSHION FOR THE HANDLE OF LONG REACH PRUNER |
| ② SP-175 | LATCH LOCK SET FOR THE HANDLE OF 150-0.6 | | |
| ③ SP-125 | ROD SET FOR 150-0.6 | | |
| ④ SP-41 | SPRING FOR LONG REACH PRUNER (INC ZR SERIES,150-0.6) (1 PC) | | |
| ⑤ SP-473 | STOP SCREW FOR 150-0.6 | | |
| ⑥ SP-40 | SCREW & NUT FOR THE HANDLE OF LONG REACH PRUNER | | |
| ⑦ SP-43 | ROD FIXING PART FOR LONG REACH PRUNER | | |
| ⑧ SP-123 | HANDLE SET FOR 150-0.6 | | |
| ⑨ SP-174 | SCREW TO ATTACH CUTTING HEAD FOR 150-0.6 (1PC) | | |